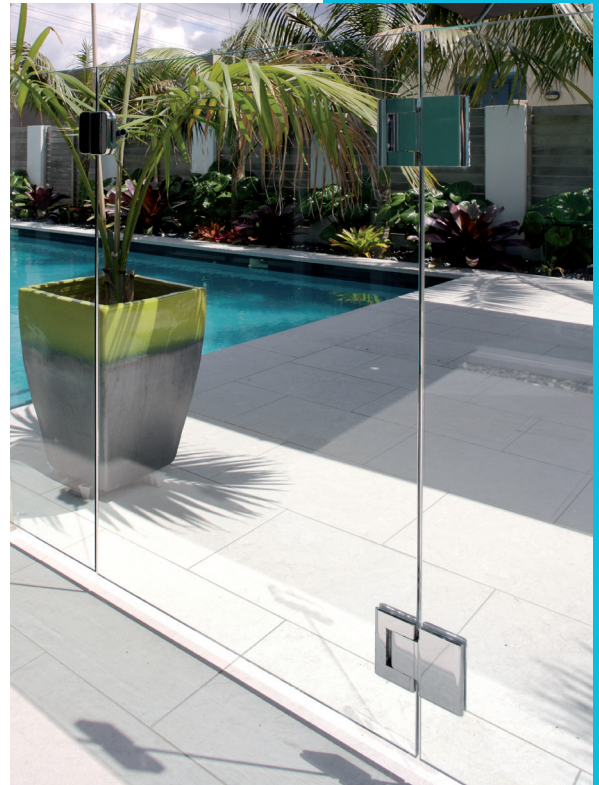


Euroglass hydraulic hinge & latch

The new Euroglass hydraulic hinge, specifically engineered in NZ for doors and pool gates, features an adjustable self-closing mechanism and smooth movement.

For pool gates, the hinge integrates with a latch of the same profile providing silent magnetic latching from any closing angle.

Both are manufactured to last with either an anodised marine grade or polished chrome finish.



Benefits

- An alternative to using floor springs and patch fittings, and for use in situations where space does not permit a floor spring.
- Eliminates the need for a floor cutout.
- Fewer fittings achieves a cleaner aesthetic and reflects the trend for flush surfaces and square edges.
- Simple adjustment of the hydraulically-controlled closing speed.

Product description

Glass-to-Glass

EH2



Glass-to-Wall

EH1



Glass-to-Wall, offset

EH1L



EHL2



EHL1



EHL290



Available finishes

- Satin anodised, marine grade 25micron
- Polished chrome (available from mid-May)
- Special finishes available on request

Euroglass hydraulic hinge & latch

technical details

- made from aluminium
- hinge opening angle 100°
- self-closing from any angle
- available as non-hold open (compulsory for pool environments) and hold open (commercial / interior applications)
- non-hold open has an offset closed position to hold the gate or door firmly shut, preventing rattle
- maximum recommended glass weight; 70kg
- maximum recommended door width; 900mm
- standard for 12mm glass, can be supplied for 10mm or 15mm glass on request
- the screw on each pivot block adjusts the hydraulic closing speed
- latch features single action, self-latching magnetic operation

external measurements

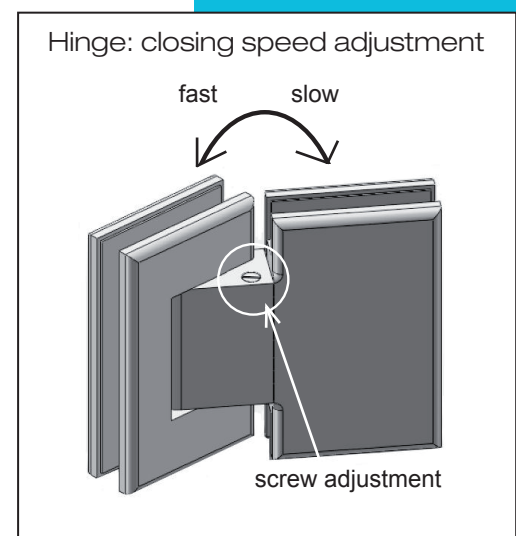
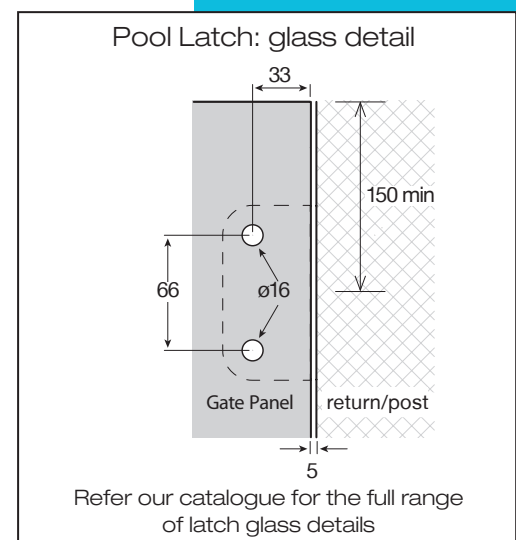
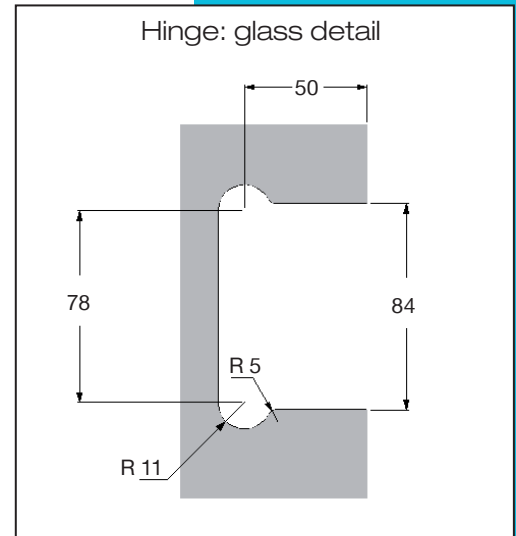
- Hinge: height 120mm, width 150mm
- Latch: height 100mm, width 100mm

custom sizing

We are able to manufacture specialty adaptations including curved post fittings if required. Please contact our sales department for details.

care instructions

Refer to our website www.euroglass.com.au for after-care information.



7/1 Roebuck St, Hemmant Q 4174
P: 1300 654 856 E: sales@euroglass.com.au

web: euroglass.com.au