

Architectural Glazing - Hardware

Please have a look at Possible Hardware options at our suppliers website www.hafele.com.au or Dorma website www.dorma.com.au

To view Hafele's products please login in as a 'Guest'. Euroglass has access to a comprehensive range of frameless shower hardware. The range is engineered to exact tolerances, using the highest quality brass and stainless steel components. Standard finishes include Polished Chrome, Satin Chrome, 24K Gold and White Powder Coat.

Floor Spring Closer:

Constant, temperature-independent closing cycle. Highly efficient mechanism gives maximum user convenience.

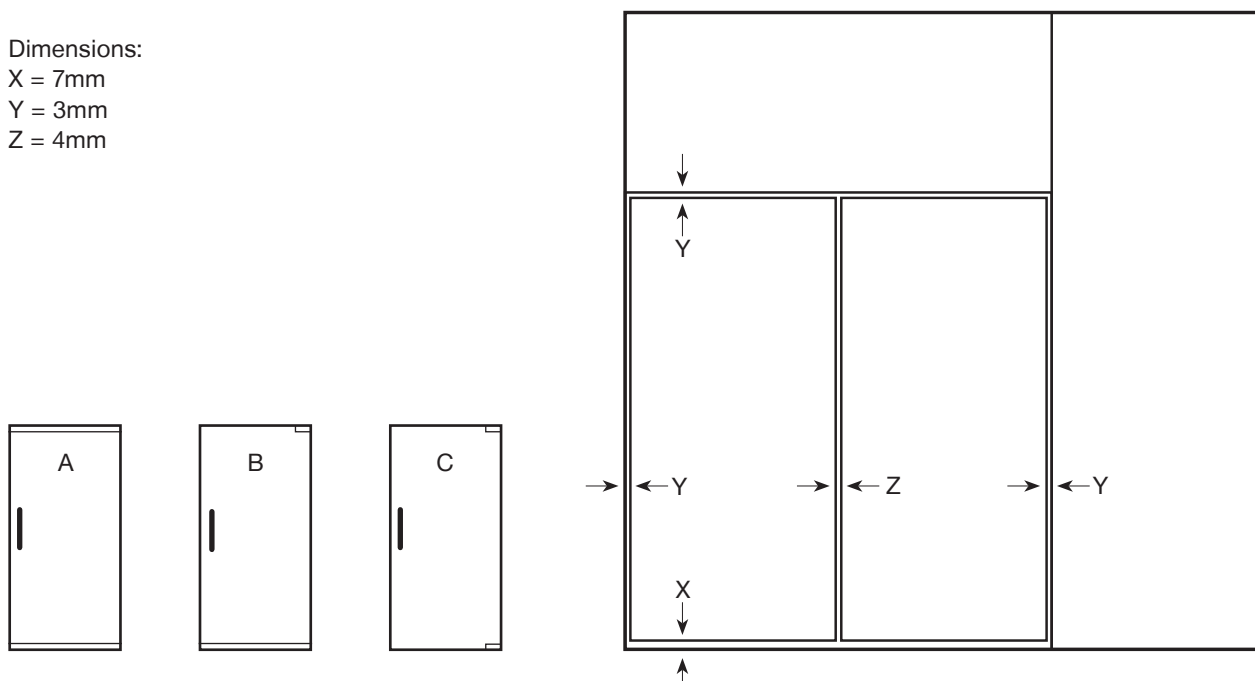
Handles, Patch Locks and privacy latches:

Please call Euroglass on 1300 654 856 for information on handles, patch locks and privacy latches.

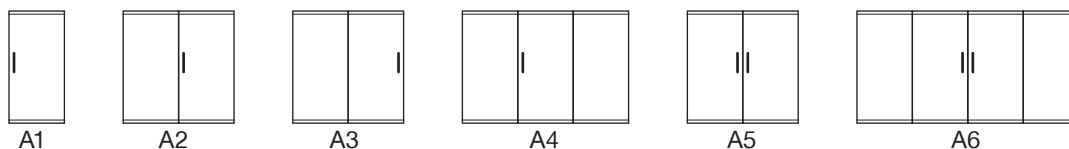


INSTALLATION DIMENSIONS

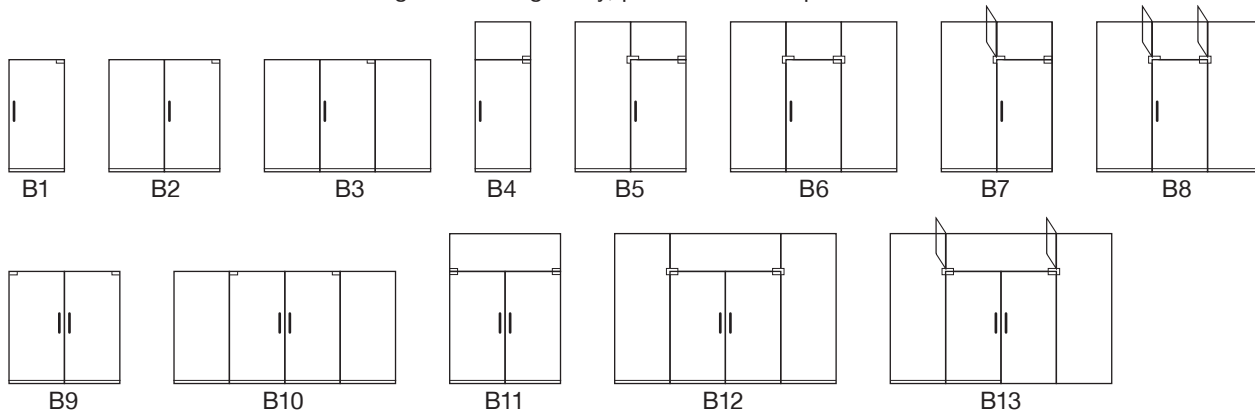
Dimensions:
X = 7mm
Y = 3mm
Z = 4mm



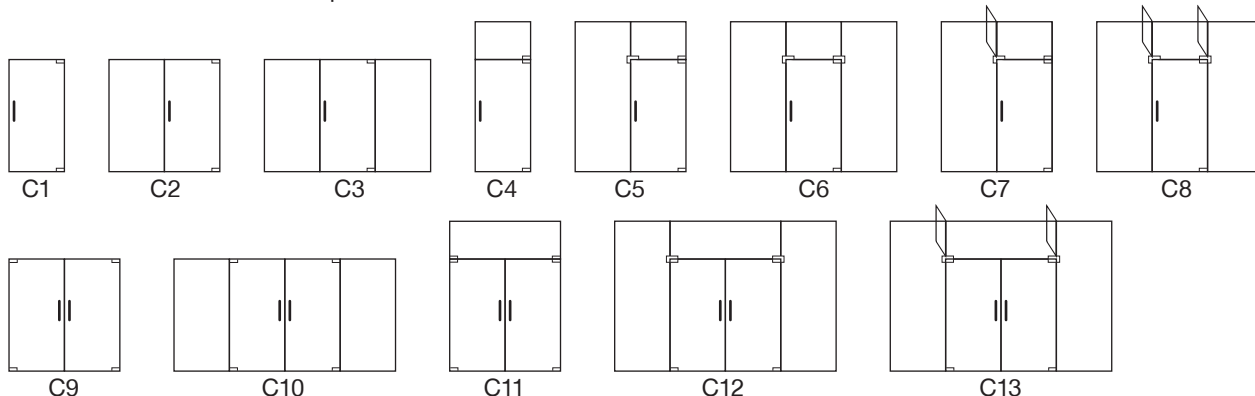
TYPE A - Full width rails fitted along top and bottom edges



TYPE B - Full width rails fitted along bottom edge only, patch fitted at top corner



TYPE C - Patches fitted at top and bottom corners



GLASS

All glass used in frameless glass door assemblies must be approved 10mm or 12mm toughened float safety glass.

DOORS

Recommended maximum sizes:

Glass Thickness	Height	Width
10mm - Patch Fittings	2.4m	1.0m
- Rails	2.5m	1.1m
12mm - Patch Fittings	2.6m	1.4m
- Rails	2.7m	1.4m

LOCKING

Rails and Patch Fittings are supplied with a Lockwood 590 series lock which enables the doors to be part of a similar master key system if so required, and is available in the following combinations:

- key lock both sides
- key lock one side only
- key lock one side, turn knob on other side

SIDE PANELS

Maximum available toughened size available from New Zealand manufacture for 10 or 12 mm glass thickness is 4.5m x 2.44m

FINS

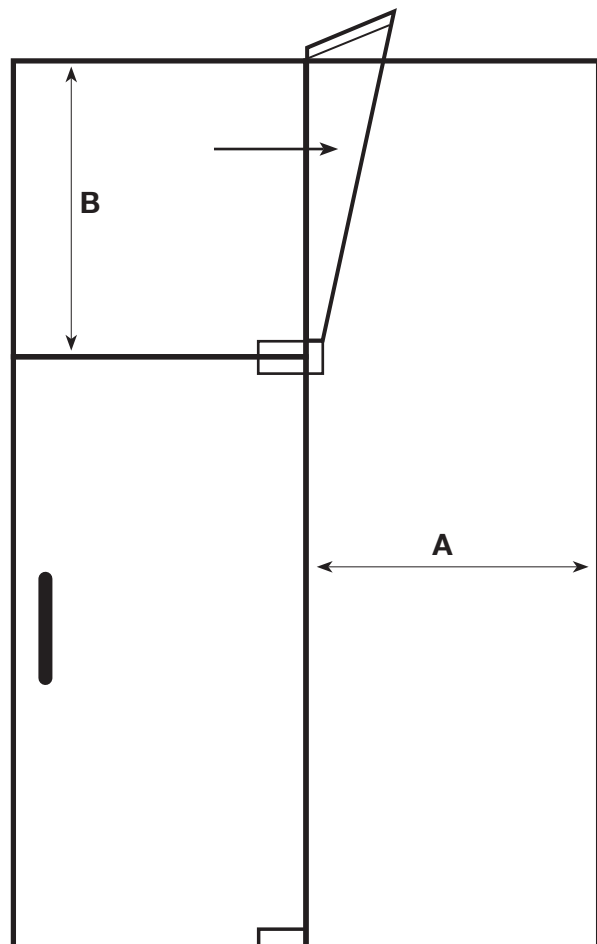
Stabilising fins are necessary to cope with loads imposed on a door assembly by the action of the door and external wind loads. The fins must be securely fixed to a rigid structure at the top of the assembly.

10mm glass

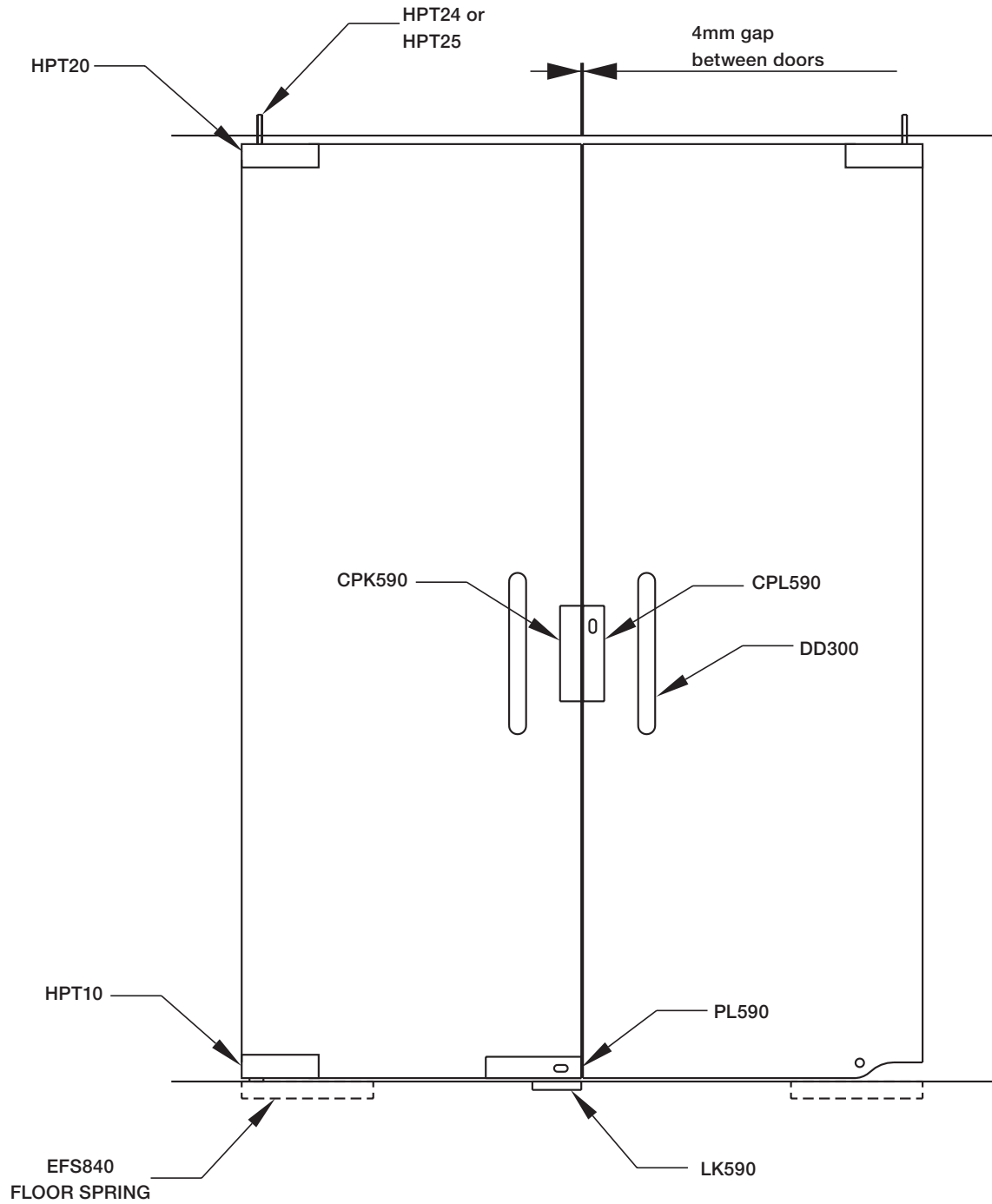
When the width of the side panel A plus the height of the over panel B exceeds a total of 1.2m, a fin is required, but not necessary if A or B are less than 400mm.

12mm glass

When the width of the side panel A plus the height of the over panel B exceeds a total of 1.5m, a fin is required, but not necessary if A or B are less than 500mm.



TYPICAL DOOR APPLICATION:



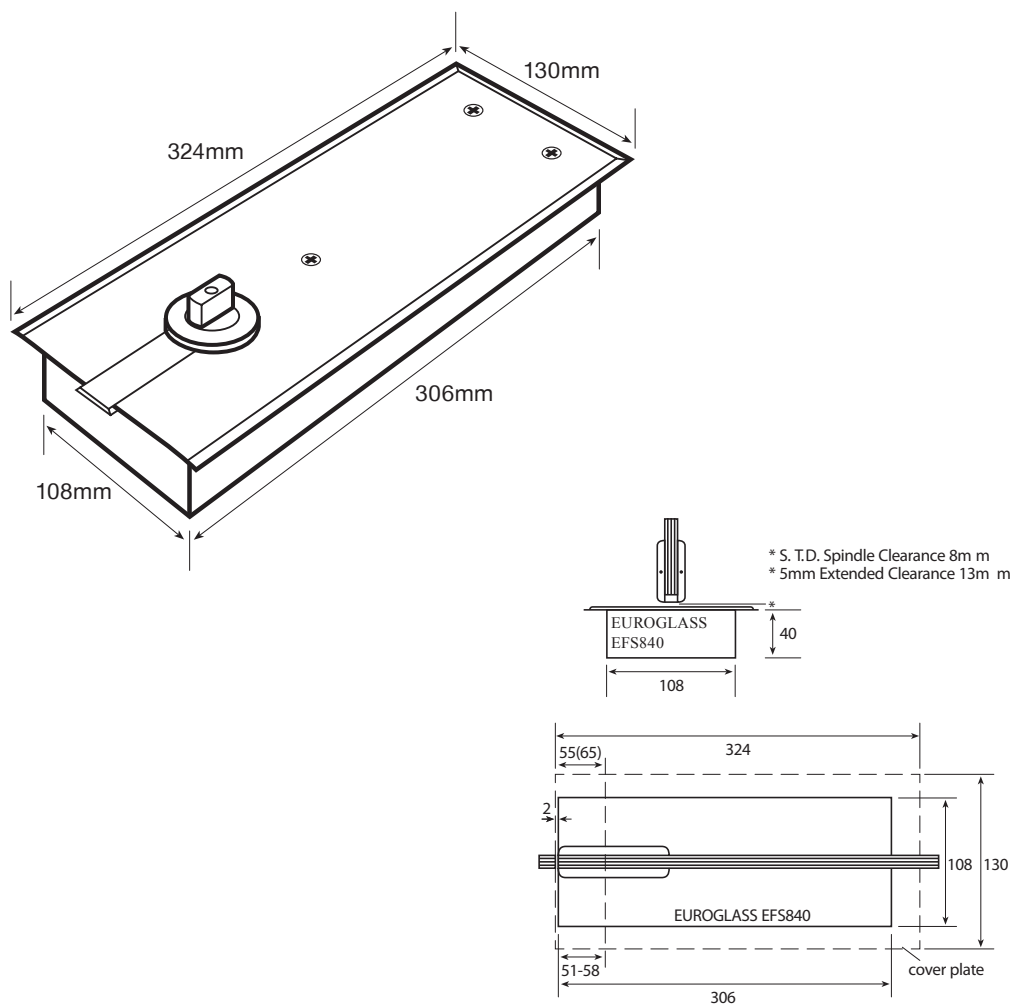
EFS840 Euroglass floorspring

AVAILABLE FINISHES

- Stainless steel (cover plate)

TECHNICAL DETAILS

- Double action floorspring including stainless steel cover plate
- 2 spring strengths; 16Nm (weak), 25Nm (standard)
- Maximum door weight 100kg
- Maximum door width 1100mm on standard spring and 800mm on weak spring
- Available 90° in hold open, and non-hold open
- 2 speed hydraulic control; closing adjustment 130°-15°
latching adjustment 15°-0°
- Spindle heights from STD to 50mm extension (5mm increments)
- Suitable for use with Euroglass frameless patch fittings and rails
- Warranty 5years or 500,000 cycles (whichever first)

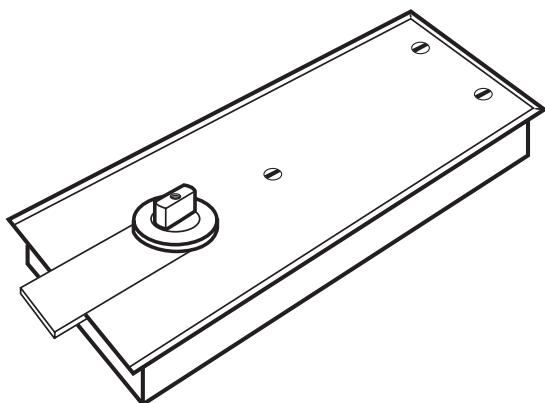


FLOOR SPRINGS



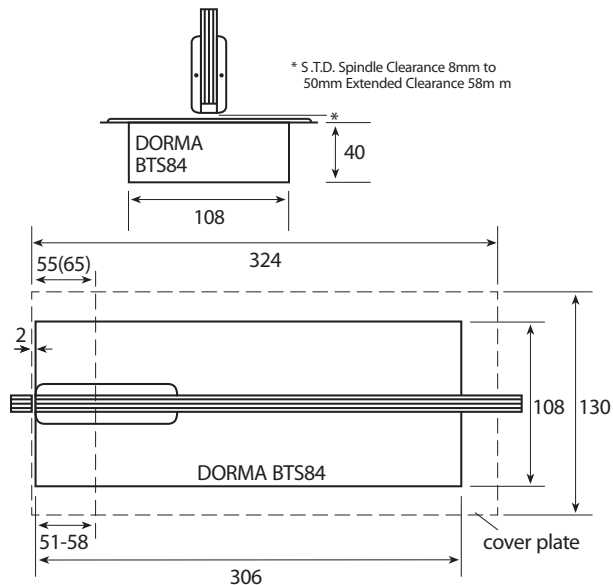
STANDARD FLOOR SPRING

- Low profile 40mm depth
- Double action
- 90° hold open
- Stainless steel coverplate
- Maximum door weight: 100kg
- Maximum door width: 1100mm
- Maximum opening angle: 130°
- Variable closing force from 25 Nm



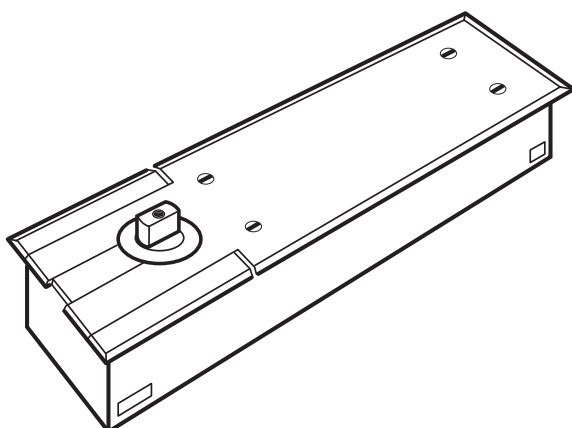
OPTIONS

- Brass coverplate
- Non hold open
- 5, 10, 15 mm extended spindles
- 15Nm weak spring force



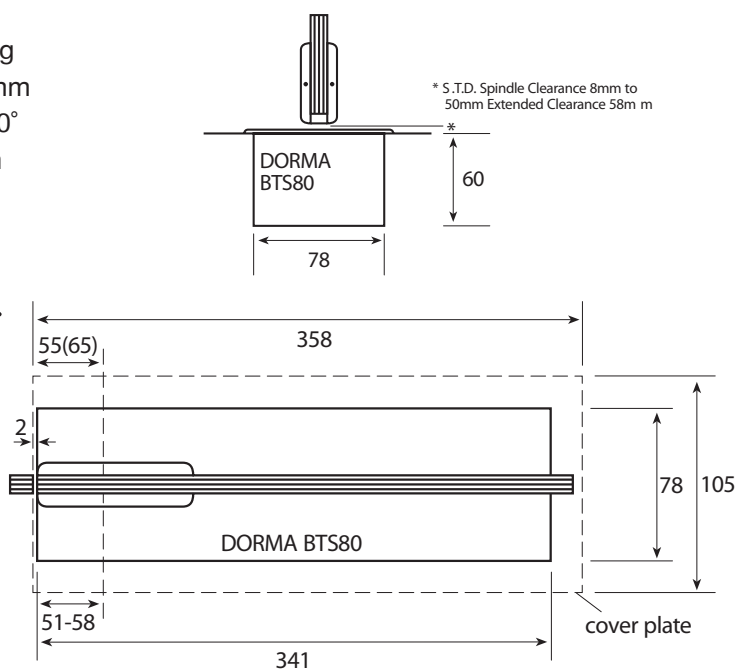
HEAVY DUTY FLOOR SPRING

- Double action
- Selective multi-point hold open adjustable between approximately 75° and 175°
- Mechanical backcheck at approximately 85° and 165°
- Stainless steel coverplate
- Maximum door weight: 300kg
- Maximum door width: 1400mm
- Maximum opening angle: 180°
- Variable closing force 53 Nm



OPTIONS

- Brass coverplate
- 5, 10, 15 mm extended spindles
- 35Nm spring force



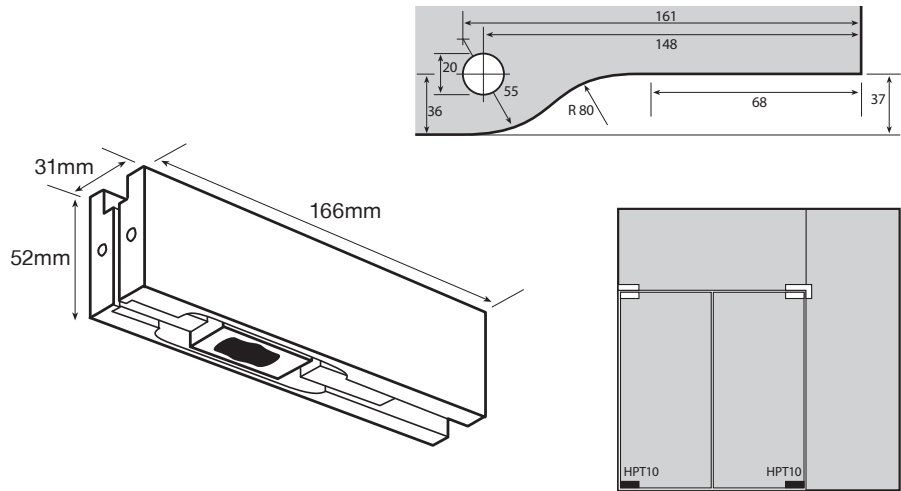
HPT10 Bottom patch fitting

AVAILABLE FINISHES

- Satin silver anodised
- Polished stainless steel
- Satin stainless steel
- Polished brass
- Selected powdercoat

TECHNICAL DETAILS

Bottom patch fitting
 Suitable for Euroglass floorspring range and HPT26 free swing pivot
 Suits 10mm or 12mm glass
 Adjustable pivot insert
 Factory set at 55mm



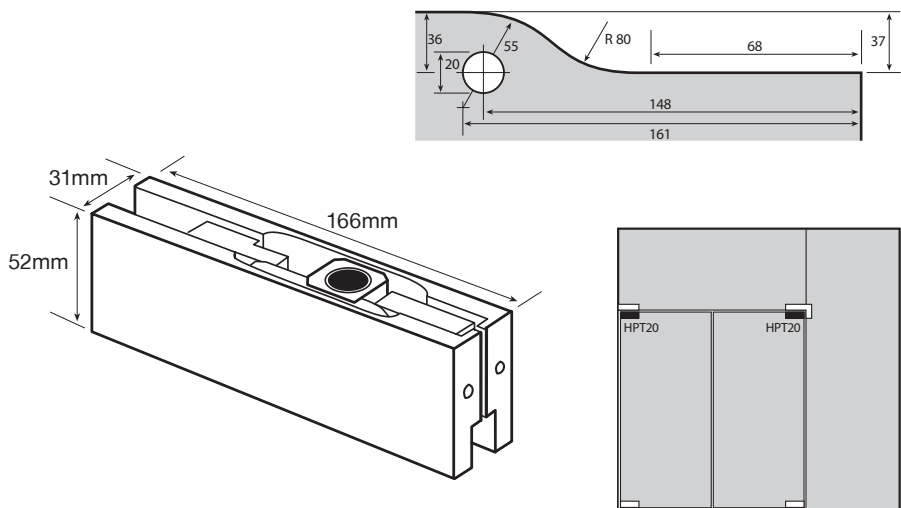
HPT20 Top patch fitting

AVAILABLE FINISHES

- Satin silver anodised
- Polished stainless steel
- Satin stainless steel
- Polished brass
- Selected powdercoat

TECHNICAL DETAILS

Top patch fitting
 Suitable for Euroglass HPT24, HPT25, HPT34, HPT40 and HPT41 pivots
 Suits 10mm or 12mm glass
 Adjustable pivot insert
 Factory set at 55mm



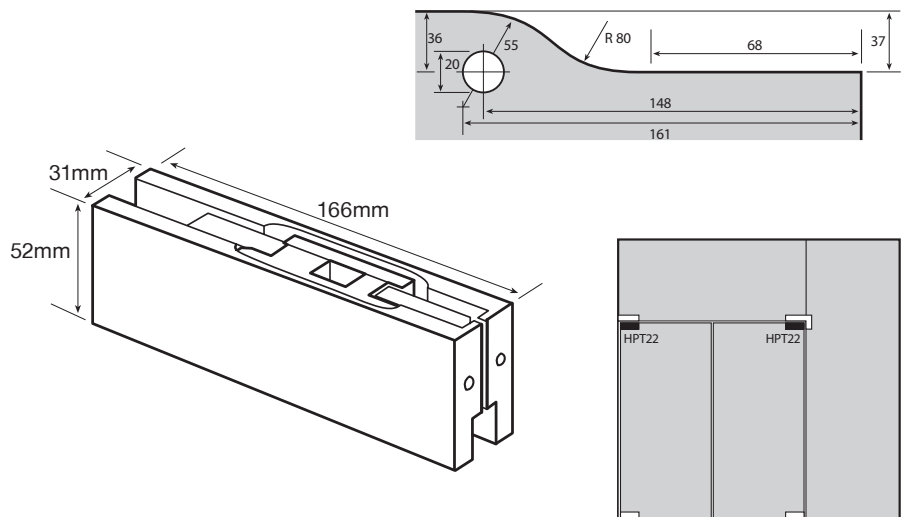
HPT22 Top patch fitting

AVAILABLE FINISHES

- Satin silver anodised
- Polished stainless steel
- Satin stainless steel
- Polished brass
- Selected powdercoat

TECHNICAL DETAILS

Top patch fitting
 Suitable for RTS85 overhead closer
 Suits 10mm or 12mm glass
 Adjustable pivot insert
 Factory set at 55mm
 Reversible to 65mm



HPT26/HPT26 EXT5 Floor pivot bearings

AVAILABLE FINISHES

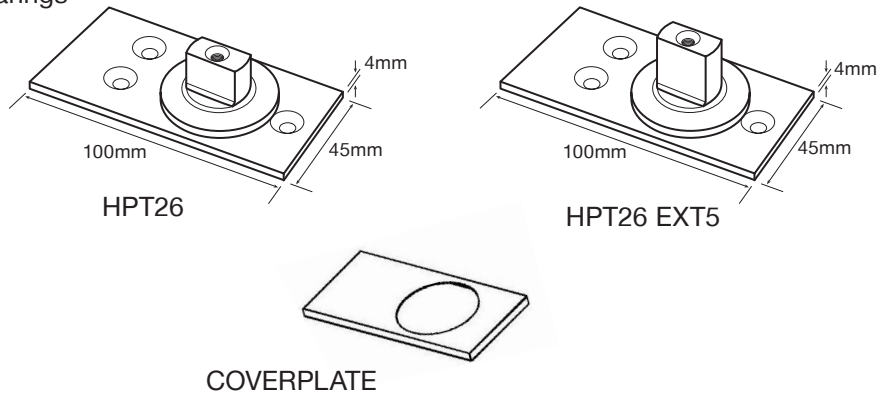
- Satin silver anodised
- Polished S/Steel & Satin S/Steel coverplate available

TECHNICAL DETAILS

Free swing floor pivot
Suitable for use with HPT10 and RL1 and RL3 bottom rails

SPECIALS

Available with 5mm extended spindle (HPT26 EXT5)



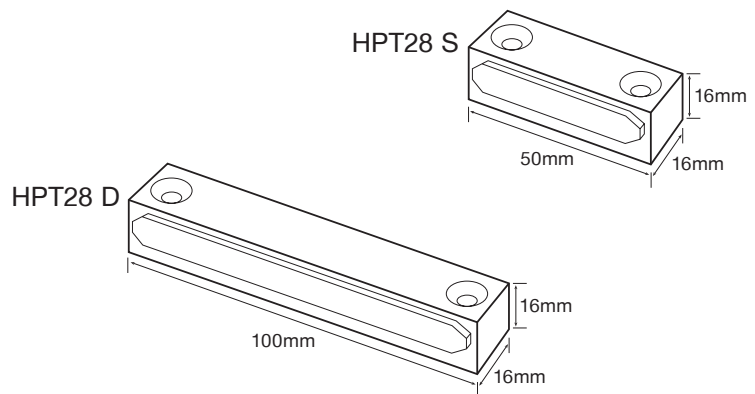
HPT28 S/HPT28 D Head stops

AVAILABLE FINISHES

- Satin silver anodised
- Chrome plate
- Polished brass
- Selected powdercoat

TECHNICAL DETAILS

Rubber infill stop
Available for single or double door installations
Specify HPT28 S for single door or HPT28 D for double door



HPT24/HPT25 Top pivot pins

AVAILABLE FINISHES

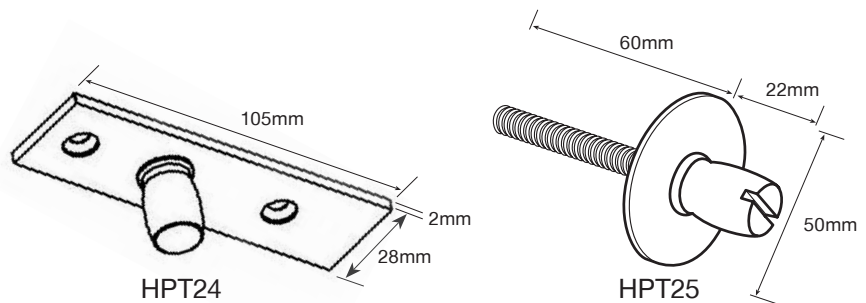
- Stainless steel for HPT24
- Plated steel for HPT25

TECHNICAL DETAILS (HPT24)

Plate mounted pin
Suitable for use with HPT20 patch and RL2 and RL4 top rails

TECHNICAL DETAILS (HPT25)

8mm metric thread
44mm diameter face washer
Suitable for use with HPT20 patch and RL2 and RL4 top rails



HPT34 Overpanel pivot patch fitting

AVAILABLE FINISHES

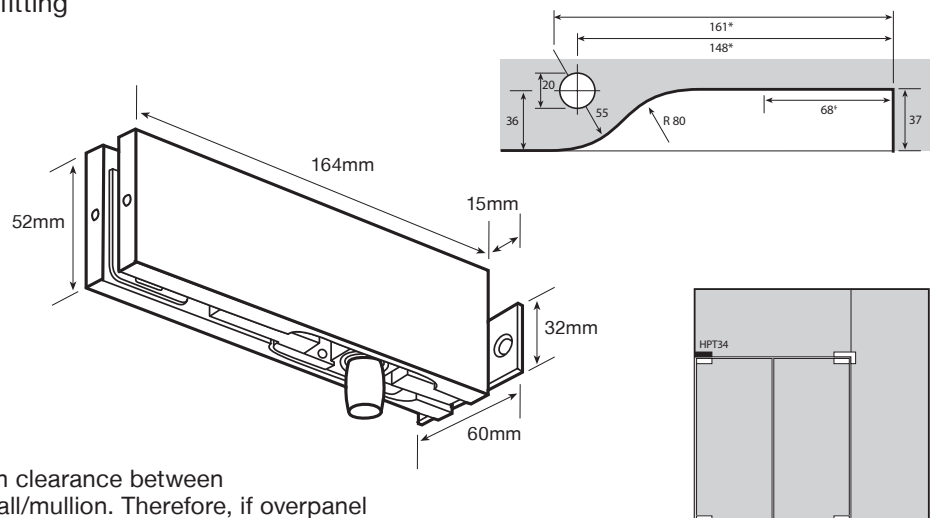
- Satin silver anodised
- Polished stainless steel
- Satin stainless steel
- Polished brass
- Selected powdercoat

TECHNICAL DETAILS

Fixing overpanel to wall fitted with pivot pin
Suitable for use with HPT20
Suits 10mm & 12mm glass
Adjustable pivot insert
Factory set at 55mm

*** SPECIAL NOTE**

These sizes are based on a 3mm clearance between the overpanel and the vertical wall/mullion. Therefore, if overpanel is to fix into a recessed or wall mounted channel, then these sizes must be adjusted to suit



HPT40 Overpanel to side panel pivot patch fitting

AVAILABLE FINISHES

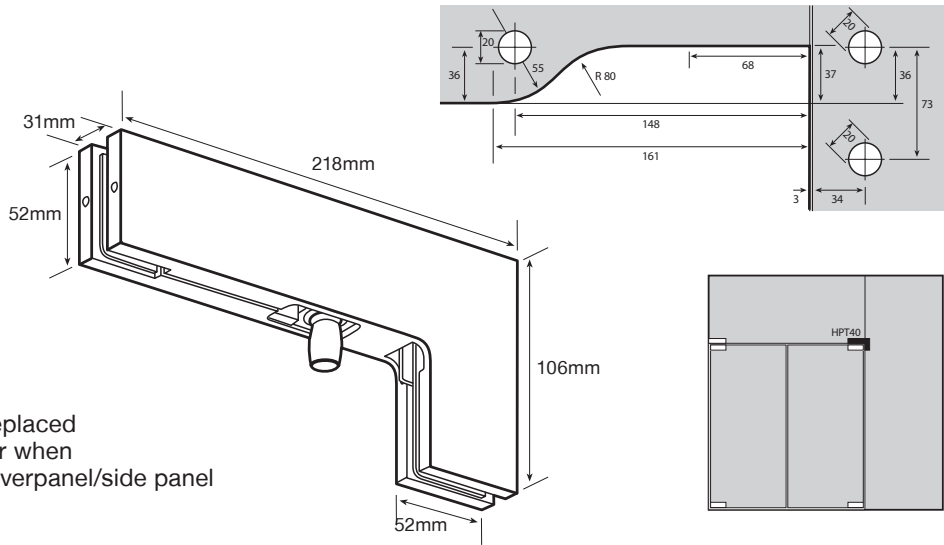
- Satin silver anodised
- Polished stainless steel
- Satin stainless steel
- Polished brass
- Selected powdercoat

TECHNICAL DETAILS

Fixing with pivot pin
Adjustable pivot insert
Suitable for use with HPT20
& with 10mm or 12mm glass

SPECIALS

Pivot pin can be removed and replaced with a stop for single action door when this patch fitting is used for an overpanel/side panel



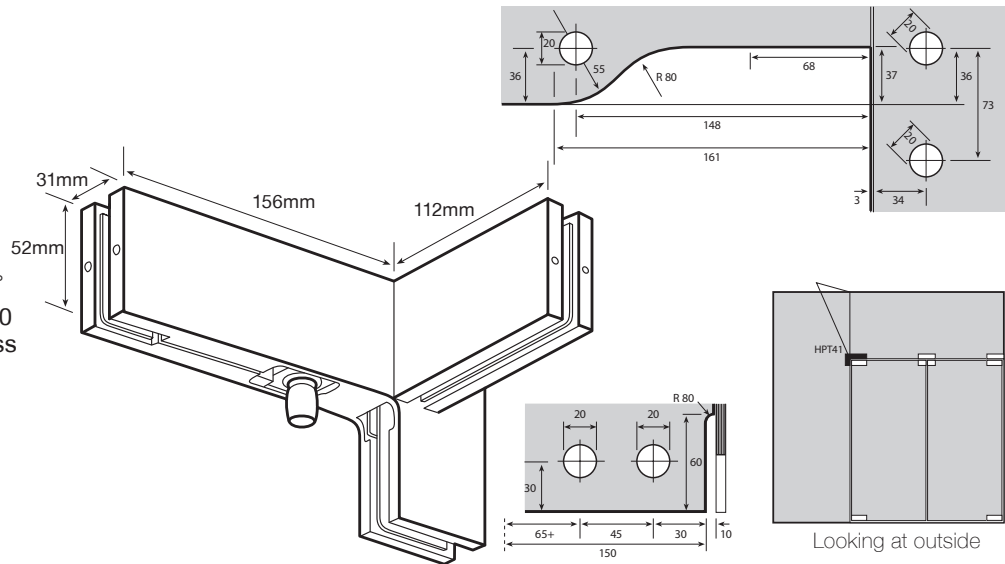
HPT41L Left hand overpanel to side panel pivot patch fitting including fin fitting

AVAILABLE FINISHES

- Satin silver anodised
- Polished stainless steel
- Satin stainless steel
- Polished brass
- Selected powdercoat

TECHNICAL DETAILS

Patch fitting for overpanel to side panel with fin at 90°
Suitable for use with HPT20
& with 10mm or 12mm glass
Adjustable pivot insert



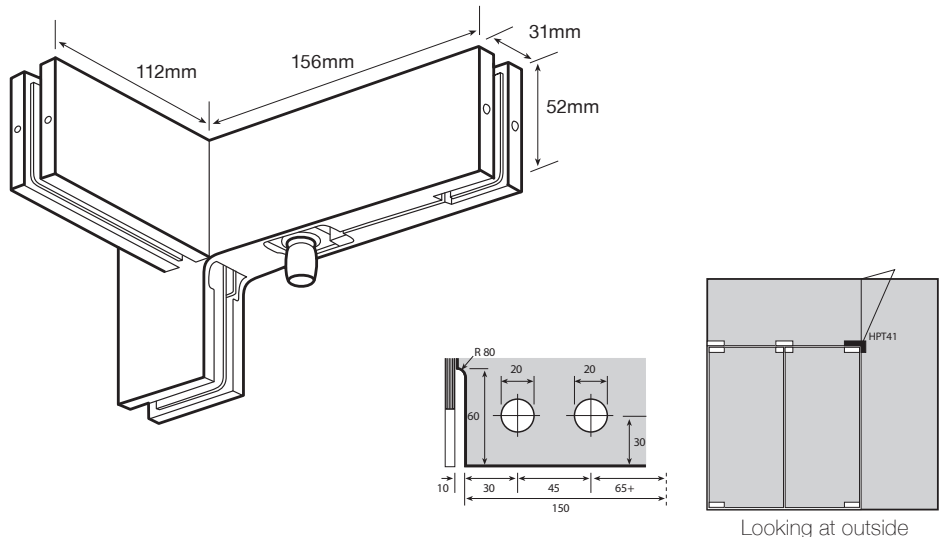
HPT41R Right hand overpanel to side panel pivot patch fitting including fin fitting

AVAILABLE FINISHES

- Satin silver anodised
- Polished stainless steel
- Satin stainless steel
- Polished brass
- Selected powdercoat

TECHNICAL DETAILS

Patch fitting for overpanel to side panel with fin at 90°
Suitable for use with HPT20
& with 10mm or 12mm glass
Adjustable pivot insert



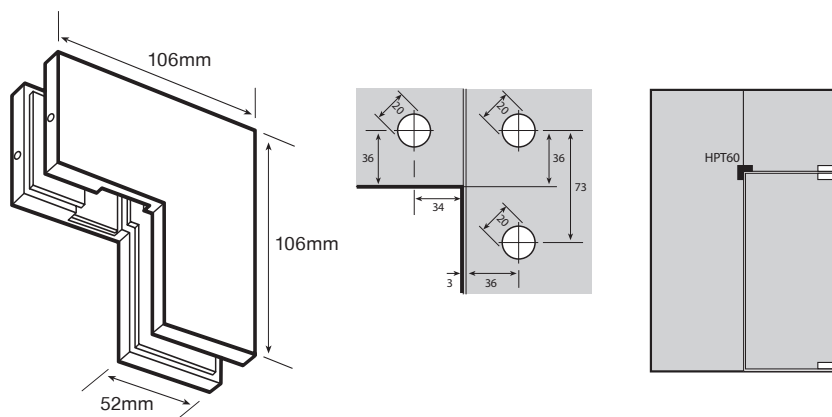
HPT60 Overpanel to side panel patch fitting

AVAILABLE FINISHES

- Satin silver anodised
- Polished stainless steel
- Satin stainless steel
- Polished brass
- Selected powdercoat

TECHNICAL DETAILS

Suits 10mm & 12mm glass



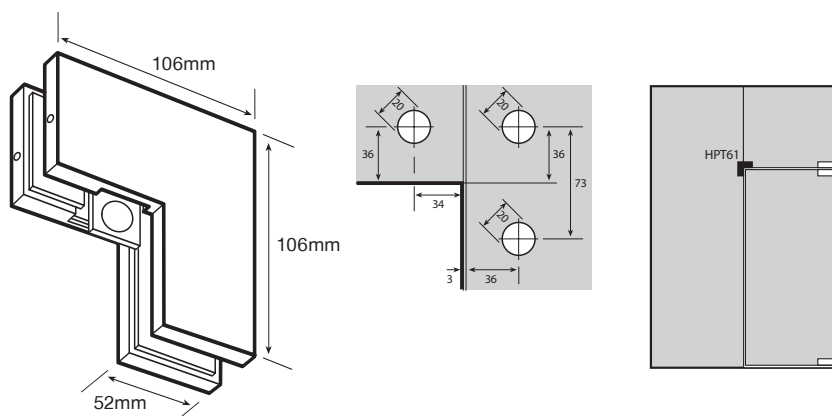
HPT61 Overpanel to side panel patch fitting

AVAILABLE FINISHES

- Satin silver anodised
- Polished stainless steel
- Satin stainless steel
- Polished brass
- Selected powdercoat

TECHNICAL DETAILS

Suits 10mm & 12mm glass
Includes removable single action door stop



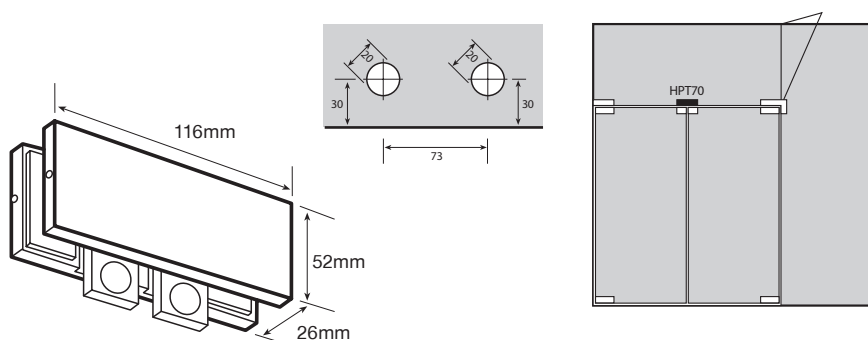
HPT70 Overpanel patch fitting incorporating stops for single action double doors

AVAILABLE FINISHES

- Satin silver anodised
- Polished stainless steel
- Satin stainless steel
- Polished brass
- Selected powdercoat

TECHNICAL DETAILS

Stops removable and reversible
Suits 10mm & 12mm glass



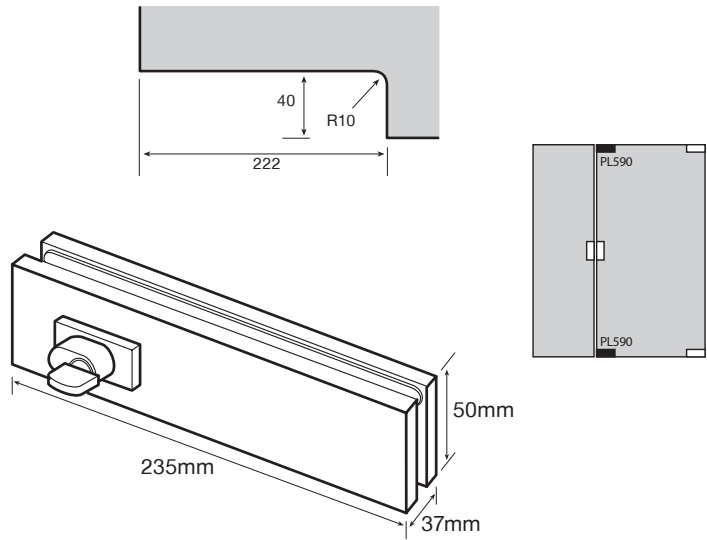
PL590 Bottom or top patch lock

AVAILABLE FINISHES

- Satin silver anodised
- Polished stainless steel
- Satin stainless steel
- Polished brass
- Selected powdercoat

TECHNICAL DETAILS

Complete with lock and cylinders
Specify cylinder combination
e.g. Double cylinder, Cylinder/Turn,
Single cylinder & Single turn
Use with keeper LK590/GK590
Suits 10mm & 12mm glass



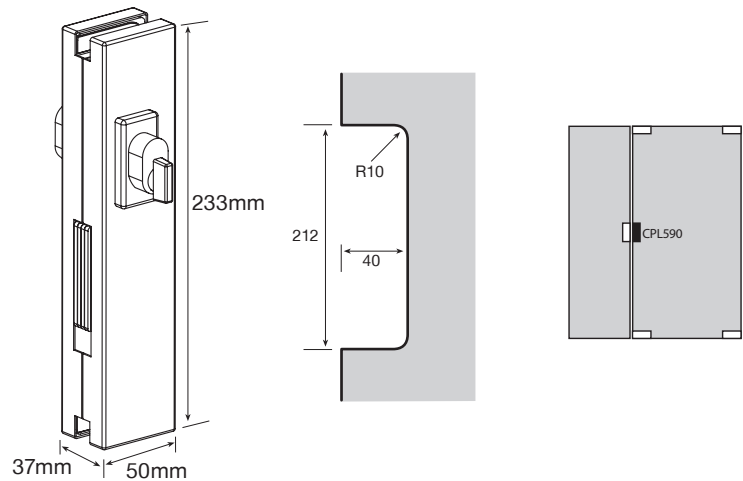
CPL590 Centre patch lock

AVAILABLE FINISHES

- Satin silver anodised
- Polished stainless steel
- Satin stainless steel
- Polished brass
- Selected powdercoat

TECHNICAL DETAILS

Complete with lock and cylinders
Specify cylinder combination
e.g. Double cylinder, Cylinder/Turn,
Single cylinder & Single turn
Use with keepers CPK590 and LK590 keepers
Suits 10mm & 12mm glass



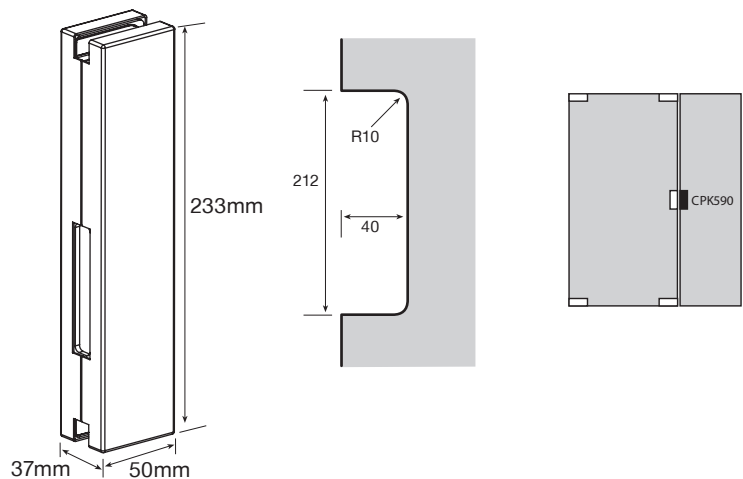
CPK590 Centre patch keeper

AVAILABLE FINISHES

- Satin silver anodised
- Polished stainless steel
- Satin stainless steel
- Polished brass
- Selected powdercoat

TECHNICAL DETAILS

Use with CPL590
Suits 10mm & 12mm glass



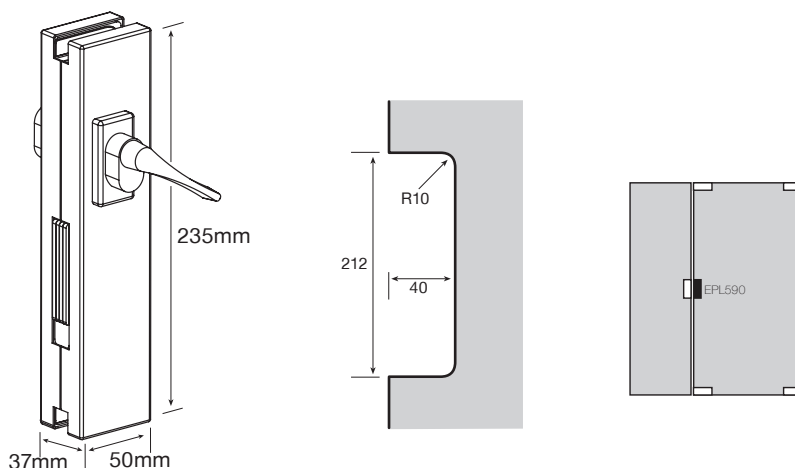
EPL590 Egress

AVAILABLE FINISHES

- Polished stainless steel
- Satin stainless steel

TECHNICAL DETAILS

Use with CPK590/LPK590
Suits 10mm or 12mm glass



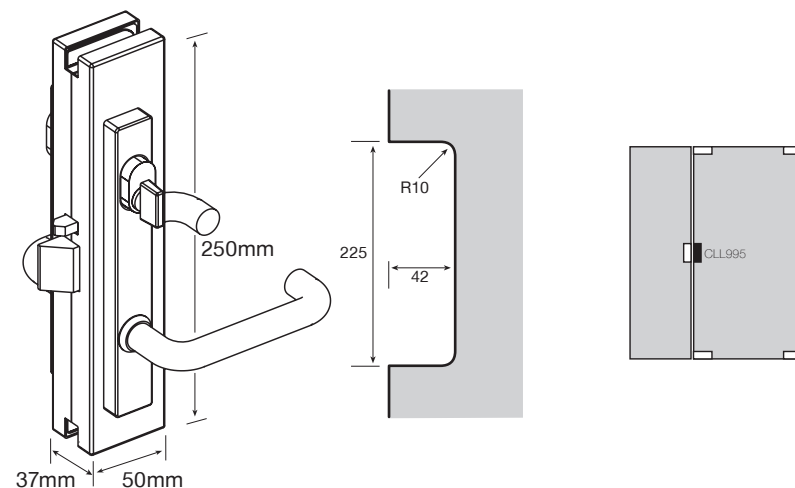
CLL995 Lever handle key entry

AVAILABLE FINISHES

- Polished stainless steel
- Satin stainless steel

TECHNICAL DETAILS

Specify cylinder
Turn combinations
e.g. Cylinder/Cylinder
Cylinder/Turn
Suits 10mm or 12mm glass
Specify door handling



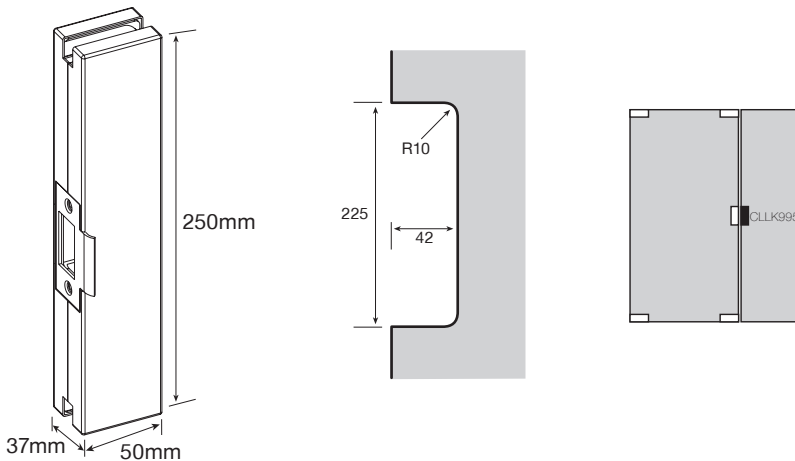
CLLK995 Glass mounted strikekeeper for CLL995

AVAILABLE FINISHES

- Polished stainless steel
- Satin stainless steel

TECHNICAL DETAILS

Specify left hand or right hand strike
Suits 10mm or 12mm glass
Specify door handling



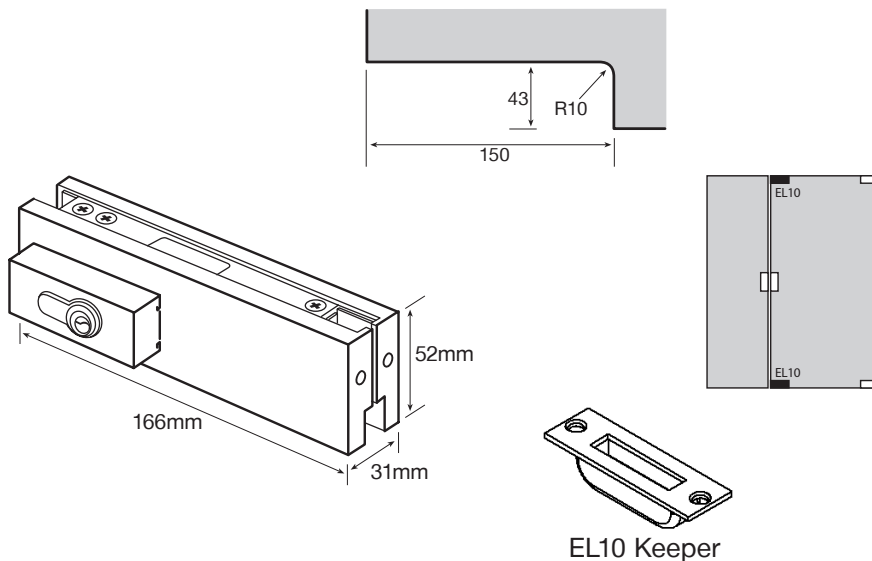
EL10 Bottom sliding door lock

AVAILABLE FINISHES

- Natural silver anodised
- Polished stainless steel
- Satin stainless steel
- Polished brass
- Selected powdercoat

TECHNICAL DETAILS

Vertical belt projection 20mm
Eurotype cylinders
Specify cylinder combination
e.g. Double cylinder, Cylinder/Turn,
Single cylinder & Single turn
Suits 10mm or 12mm glass



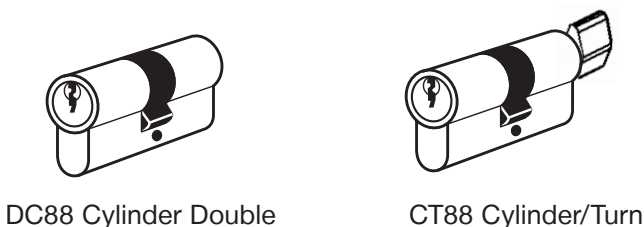
DC88/CT88 Eurostyle cylinders

AVAILABLE FINISHES

- Chrome plate

TECHNICAL DETAILS

Used with EL10



LK590/GK590 Lockwood 590 groundkeeper

AVAILABLE FINISHES

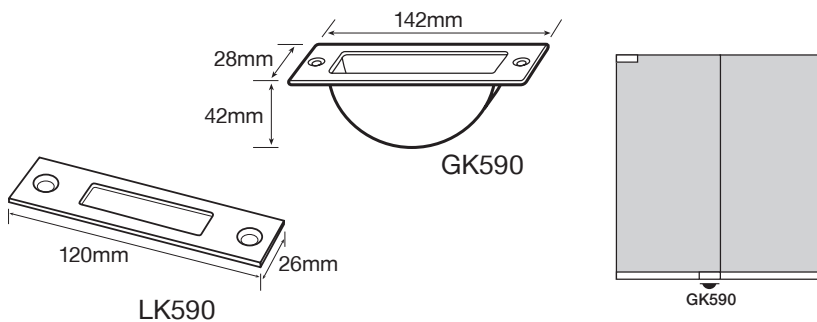
- Stainless steel (LK590)
- Satin silver anodised (GK590)

TECHNICAL DETAILS (LK590)

Used with PL590 and CPL590 locks & rails

TECHNICAL DETAILS (GK590)

Used with rail locks & PL590



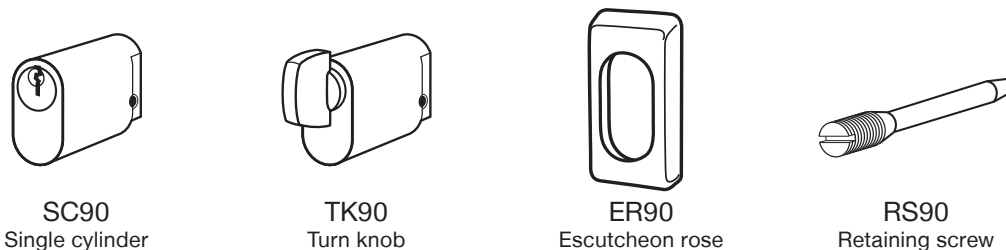
SC90/TK90/ER90/RS90 Lockwood 590 accessories

AVAILABLE FINISHES

- Satin silver anodised

TECHNICAL DETAILS

Used with rail locks

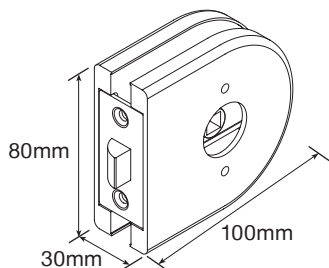


DL1/DL2/DL4 Eurolatch door latch, keeper & strike

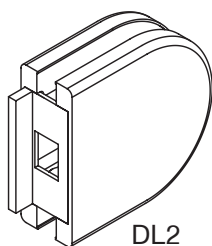
AVAILABLE FINISHES

- Polished stainless steel
- Satin stainless steel

Eurolatch lever handles to suit (see below)



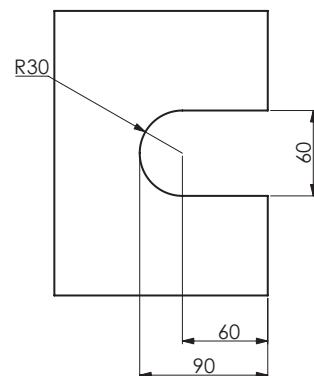
DL1
Door latch



DL2
Glass Keeper
for DL1



DL4
Timber strike plate
for DL1

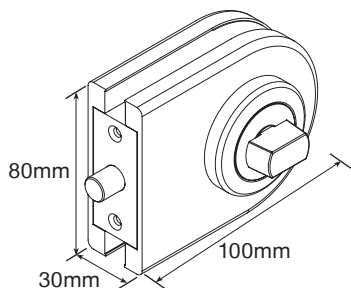


DL5/DL6/DL7 Eurolatch door latch, turn/indicator & strike

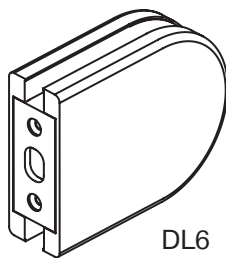
AVAILABLE FINISHES

- Polished stainless steel
- Satin stainless steel

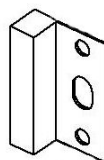
Eurolatch lever handles to suit (see below)



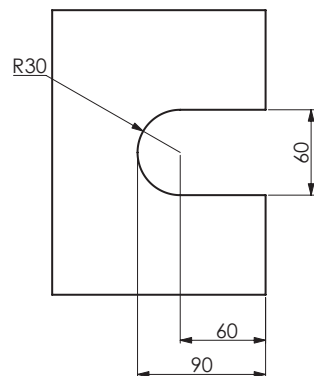
DL5
Door latch turn
& indicator



DL6
Door latch glass
keeper for DL5



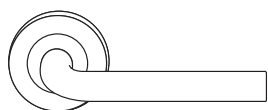
DL7
Timber strike plate
for DL5



DELTA/SIGMA/BETA Eurolatch lever handles

AVAILABLE FINISHES

- Polished stainless steel
- Satin stainless steel



DELTA
LH1



SIGMA
LH5



BETA
LH7

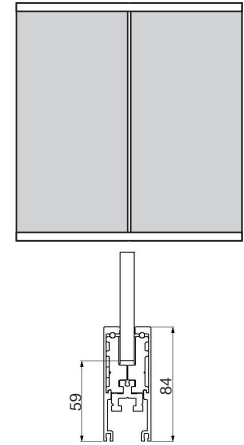
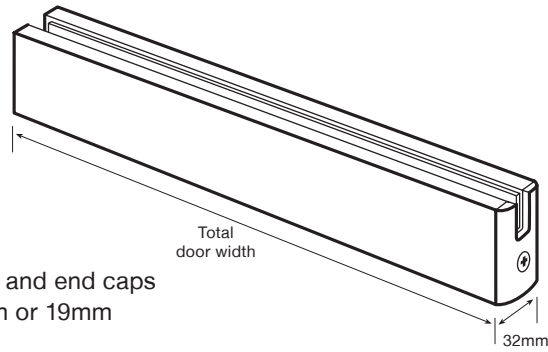
RL1/RL2/RL2 COC Bottom and top non-locking sliding door rails

AVAILABLE FINISHES

- Satin silver anodised
- Polished stainless steel
- Satin stainless steel
- Selected powdercoat

TECHNICAL DETAILS

RL1 bottom rail; RL2 top rail;
RL2 COC top overhead closer rail
Supplied in custom lengths with cover plates and end caps
Specify glass thickness: 10mm, 12mm, 15mm or 19mm



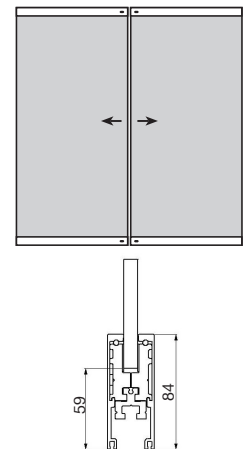
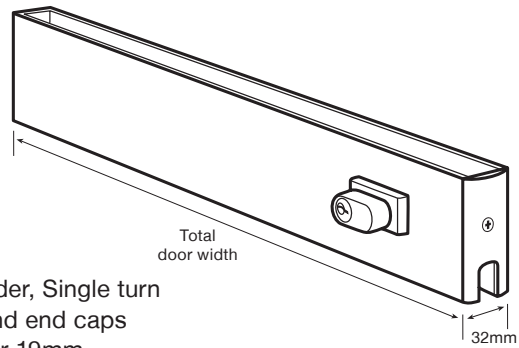
RL3/RL4/RL4 COC Bottom and top locking sliding door rails

AVAILABLE FINISHES

- Satin silver anodised
- Polished stainless steel
- Satin stainless steel
- Selected powdercoat

TECHNICAL DETAILS

Complete with 590 lock
RL3 bottom rail; RL4 top rail;
RL4 COC top overhead closer rail
Specify cylinder combination
e.g. Double cylinder, Cylinder/Turn, Single cylinder, Single turn
Supplied in custom lengths with cover plates and end caps
Specify glass thickness: 10mm, 12mm, 15mm or 19mm



RL5 Bottom and top non-locking sliding door rails

AVAILABLE FINISHES

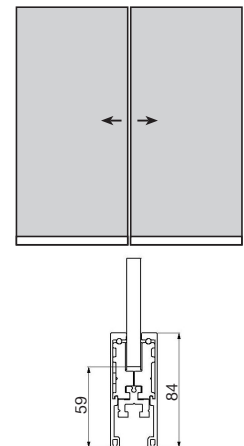
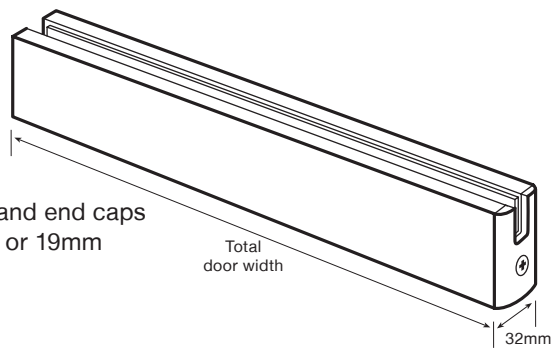
- Satin silver anodised
- Polished stainless steel
- Satin stainless steel
- Selected powdercoat

TECHNICAL DETAILS

RL5 bottom sliding rail
RL5 top sliding rail
Supplied in custom lengths with cover plates and end caps
Specify glass thickness: 10mm, 12mm, 15mm or 19mm

SPECIALS

Floorguide available
Roller attachments available



RL6 Bottom and top locking sliding door rails

AVAILABLE FINISHES

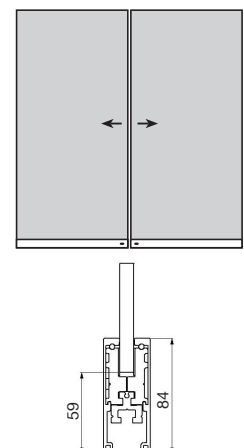
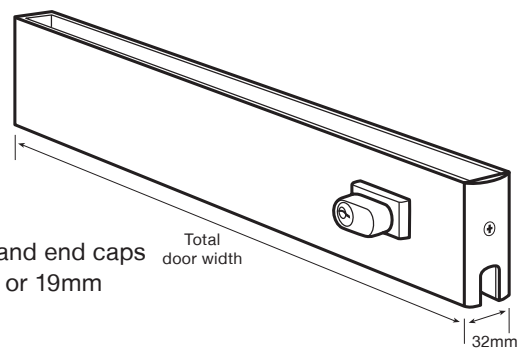
- Satin silver anodised
- Polished stainless steel
- Satin stainless steel
- Selected powdercoat

TECHNICAL DETAILS

Specify cylinder combination
e.g. Double cylinder, Cylinder/Turn,
Single cylinder, Single turn
Supplied in custom lengths with cover plates and end caps
Specify glass thickness: 10mm, 12mm, 15mm or 19mm

SPECIALS

Floorguide available
Roller attachments available



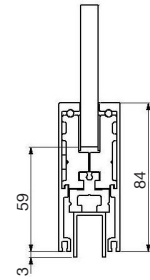
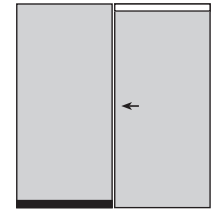
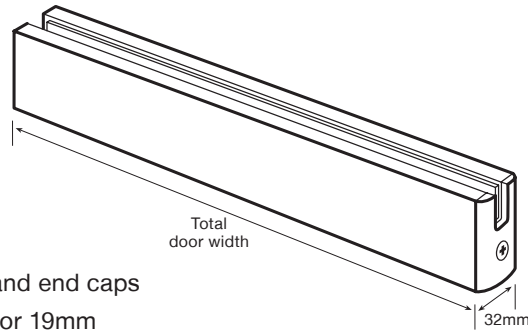
RL7 Sidelight rail

AVAILABLE FINISHES

- Satin silver anodised
- Polished stainless steel
- Satin stainless steel
- Polished brass
- Selected powdercoat

TECHNICAL DETAILS

Frameless sidelight rail to match door rail
 Supplied in custom lengths with cover plates and end caps
 Specify glass thickness: 10mm, 12mm, 15mm or 19mm
 CH25 channel required to mount rail to floor



FGR/CU25/CU45 Guides and channels

AVAILABLE FINISHES (FGR)

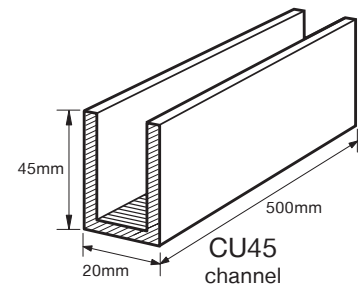
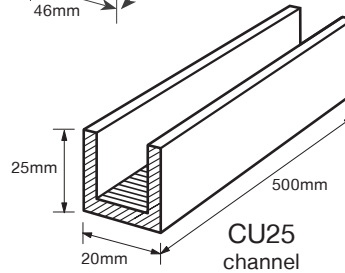
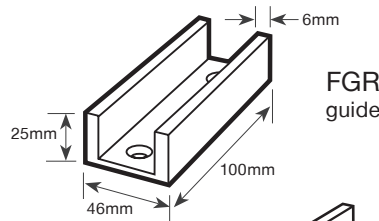
- Black nylon

AVAILABLE FINISHES (CU25/CU45)

- Mill finish
- Satin silver anodised

TECHNICAL DETAILS

FGR guide for Euroglass sliding rail
 FGC guide for frameless sliding rail
 Lengths for CU25 and CU45 channels - 5000mm



COM1/COM2 Commercial glazing U channel

COM3 End cap

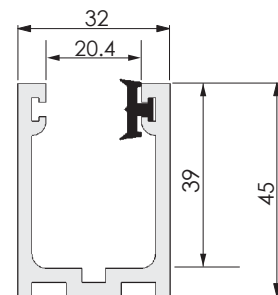
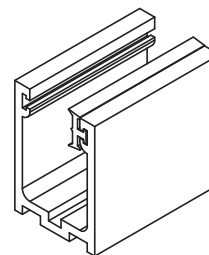
AVAILABLE FINISHES

- Satin anodised
- Mill finish

TECHNICAL DETAILS

Heavy duty one or two-piece architectural commercial channel section, used for interior and exterior applications
 Suitable for 10, 12 and 15mm glass, can be used with 19mm if wet glazed

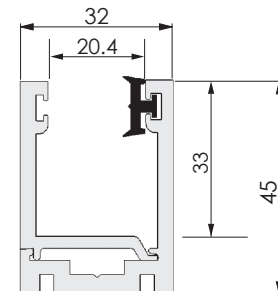
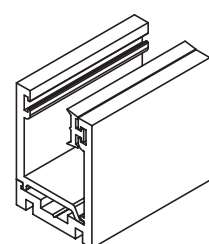
COM1 Bottom Channel



COM3 End Cap



COM2 Head/Side Channel



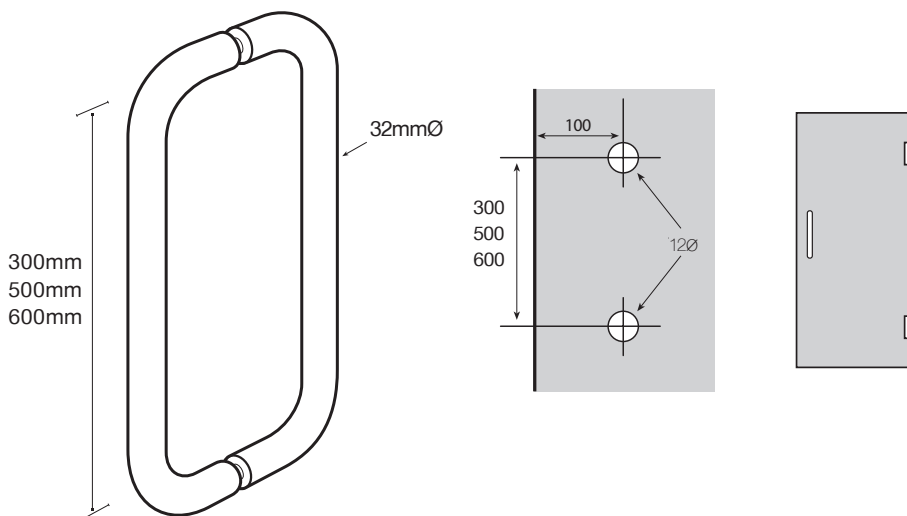
DD300/DD500/DD600 Double D handles

AVAILABLE FINISHES

- Polished stainless steel
- Satin stainless steel
- Polished brass
- Selected powdercoat

TECHNICAL DETAILS

Suitable for swing or sliding doors
32mm diameter
DD300 - 300mm centres
DD500 - 500mm centres
DD600 - 600mm centres



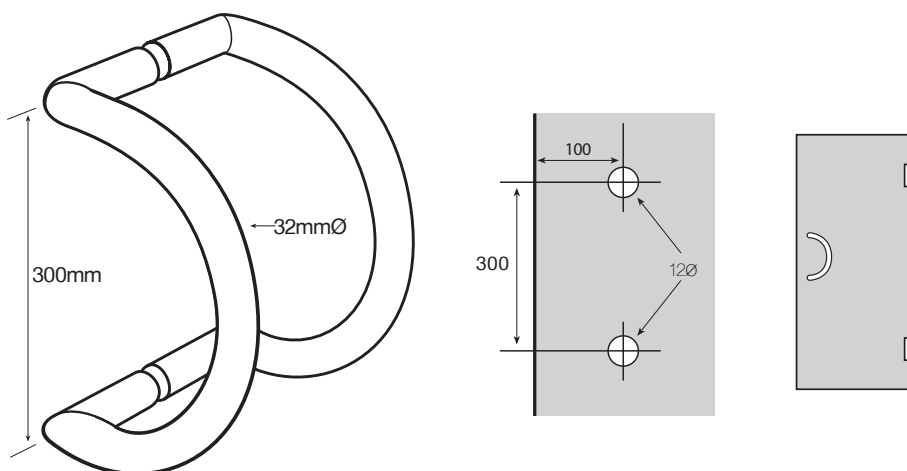
DHC300 Double 1/2 circle handle

AVAILABLE FINISHES

- Polished stainless steel
- Satin stainless steel
- Selected powdercoat

TECHNICAL DETAILS

Suitable for swing or sliding doors
32mm diameter
300mm centres



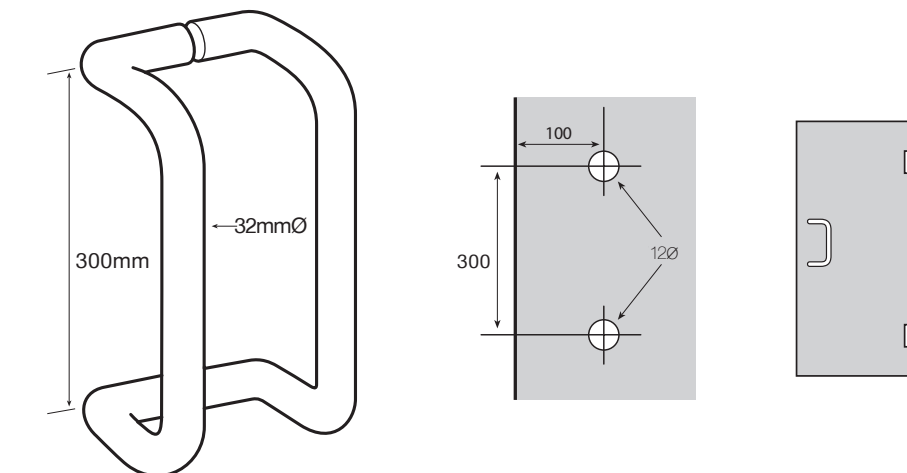
DOSD300 Double offset D handle

AVAILABLE FINISHES

- Polished stainless steel
- Satin stainless steel
- Selected powdercoat

TECHNICAL DETAILS

Suitable for swing or sliding doors
32mm diameter
300mm centres



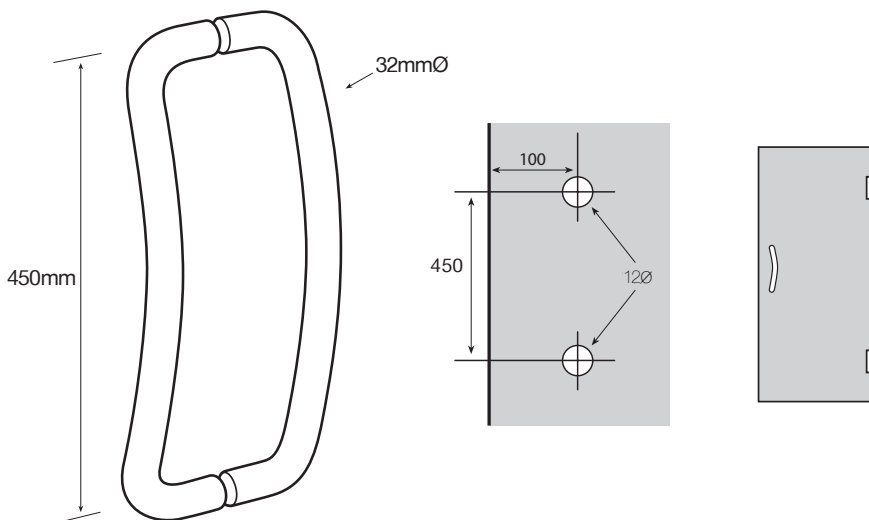
DB450 Double D-bent handle

AVAILABLE FINISHES

- Polished stainless steel
- Satin stainless steel
- Selected powdercoat

TECHNICAL DETAILS

Suitable for swing or sliding doors
32mm diameter
450mm centres



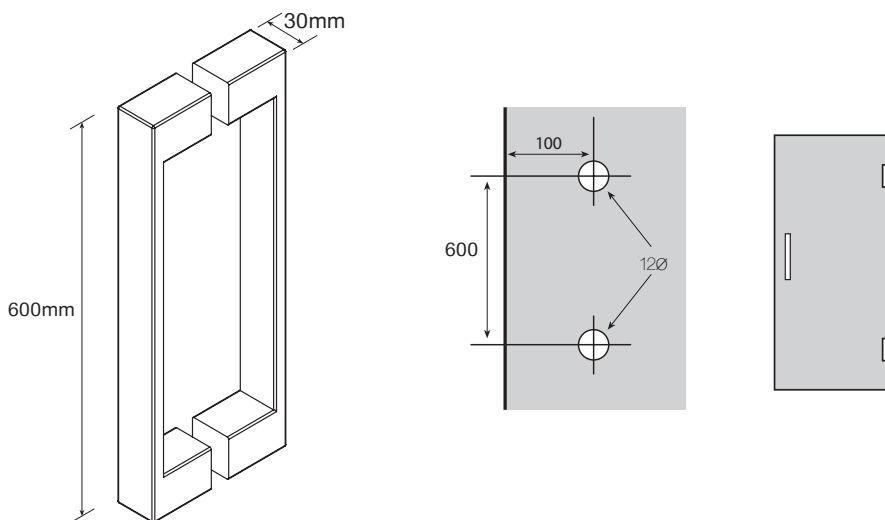
CUBIX30600 Cubix handle

AVAILABLE FINISHES

- Satin stainless steel

TECHNICAL DETAILS

Suitable for swing or sliding doors
30mm width
600mm centres



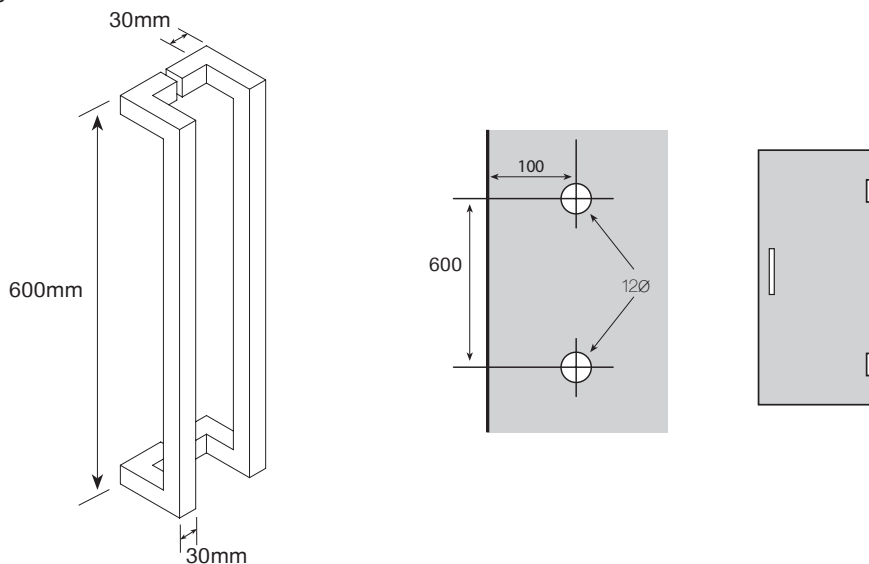
CUBIX600OFF Cubix offset handle

AVAILABLE FINISHES

- Satin stainless steel

TECHNICAL DETAILS

Suitable for swing or sliding doors
30mm width
600mm centres
Ideal for double doors



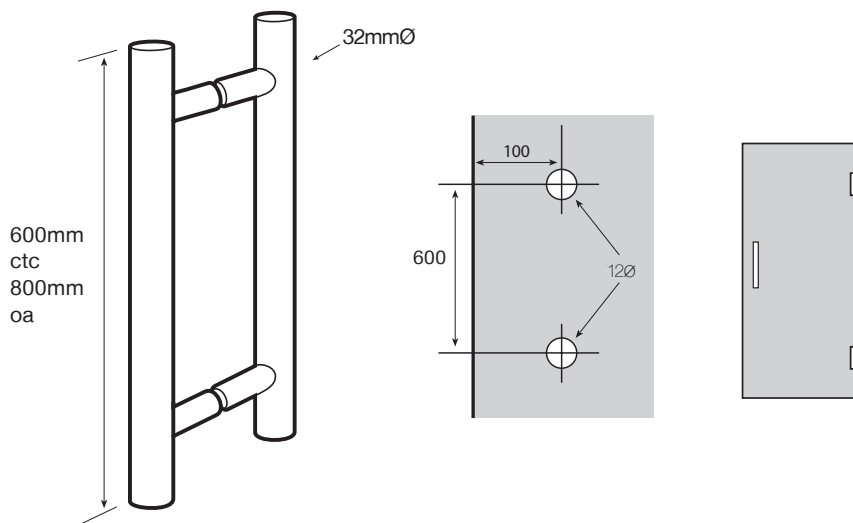
HM600 Marsh handle

AVAILABLE FINISHES

- Satin stainless steel

TECHNICAL DETAILS

Suitable for swing or sliding doors
32mm diameter
600mm centres, 800mm overall



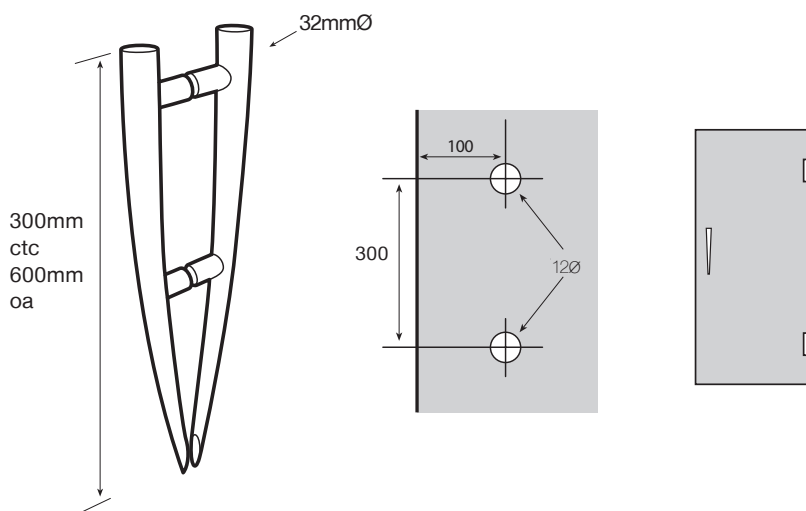
HT600 Tusk handle

AVAILABLE FINISHES

- Satin stainless steel

TECHNICAL DETAILS

Suitable for swing or sliding doors
32mm diameter
300mm centres, 600mm overall



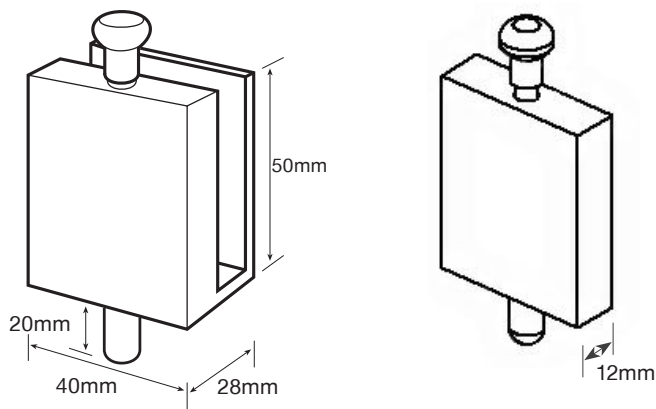
374 Straddle fix bolt lock

AVAILABLE FINISHES

- Satin silver anodised
- Selected powdercoat

TECHNICAL DETAILS

Suitable for 10mm or 12mm thick glass
No cut out of glass panel required
Silicon fixing
Tubular groundkeeper included
Slide and glue-on options



Slide option

Glue-on option